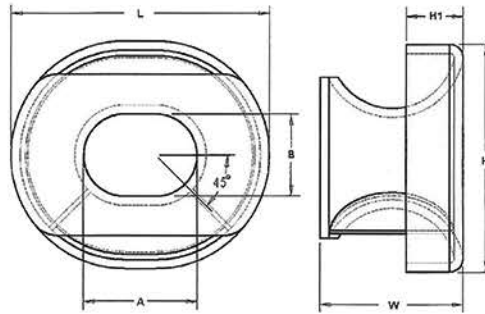




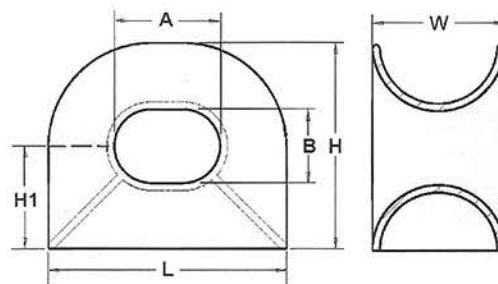
CHOCKS

Chock Bulwark Mounted - Type A



Model	SWL (kN)	Dimensions (mm)						Mass (kgs)
		L	W	H	H1	A	B	
A2	20	360	200	315	70	160	115	30
A3	30	450	250	390	75	200	140	50
A5	50	550	300	480	80	250	180	85
A8	80	680	360	585	90	320	225	140
A12	125	840	440	710	110	400	270	210
A20	200	1020	520	840	130	500	320	320
A32	320	1300	700	1100	150	600	400	800

Chock Bulwark Mounted - Type C

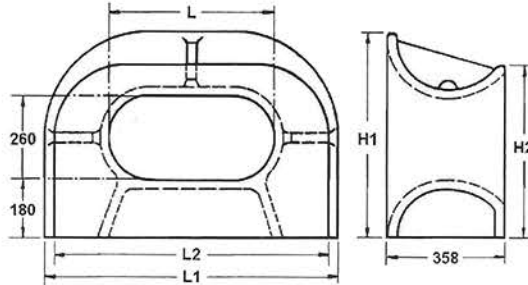


Model	SWL (kN)	Dimensions (mm)						Mass (kgs)
		L	W	H	H1	A	B	
C2	20	360	200	316	158	160	115	29
C3	30	450	250	390	195	200	140	48
C5	50	550	300	480	240	250	180	85
C8	80	680	360	586	293	320	225	136
C12	125	840	440	710	355	400	270	211
C20	200	1020	520	840	420	500	320	356
C32	320	1300	700	1100	550	600	400	840



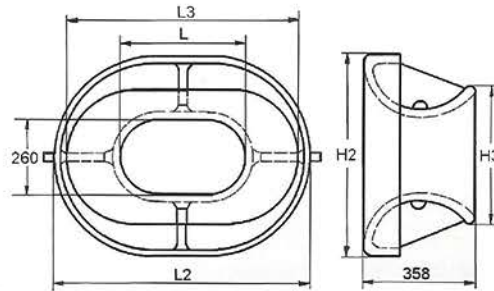
CHOCKS

Chock Deck Mounted - Type AC



Nominal Size (mm)	Dimensions (mm)					Mass (kgs)
	L	L1	L2	H1	H2	
310	310	708	652	639	541	253
360	360	760	704	640	542	289
400	400	804	750	642	545	323
450	450	856	802	643	547	351
500	500	908	854	644	549	395

Chock Bulwark Mounted - Type BC

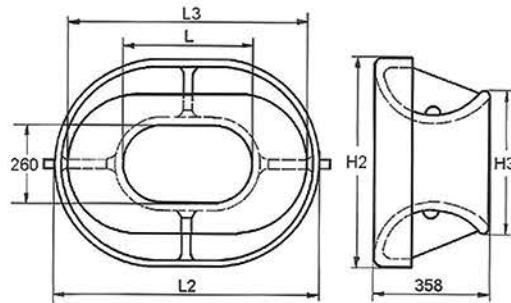


Nominal Size (mm)	Dimensions (mm)					Mass (kgs)
	L	L2	L3	H2	H3	
310	310	734	652	684	462	276
360	360	788	701	688	464	305
400	400	832	750	692	470	344
450	450	886	702	696	474	385
500	500	940	854	700	478	422



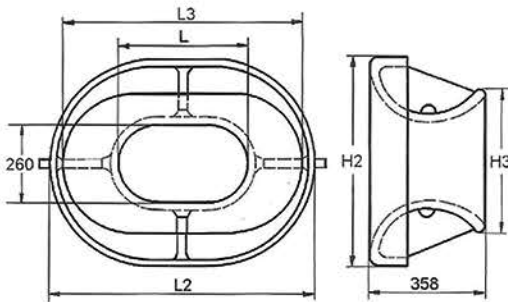
MOORING PIPES

Single Point Mooring Pipes - Model A



Nominal Size (mm)	L	L1	L2	H	H1	H2	B	R	R1	T	C	Mass (kg)	Dia. of Chain Rope		
													Chain	Wire	Fibre
400	400	780	570	300	680	460	350	150	210	35	65	210	50~60	30	80
500	500	940	690	400	840	580	400	200	240	40	70	340	62~73	40	90
600	600	1100	810	450	950	655	450	225	270	45	75	490	76~92	50	100
700	700	1260	930	500	1060	730	500	250	300	50	80	660	95~114	60	110
800	800	1420	1050	600	1220	850	550	300	330	55	85	880	117~132	70	120

Single Point Mooring Pipes - Model B



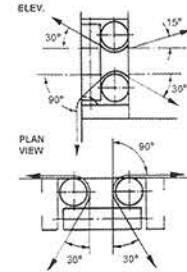
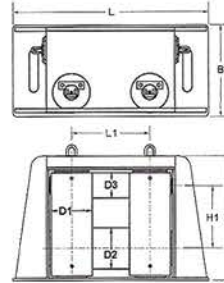
Nominal Size (mm)	L	L1	L2	H	H1	H2	H3	H4	B
400	400	800	600	300	320	300	200	260	350
500	500	960	720	400	370	350	250	310	400
600	600	1120	840	450	420	400	300	360	450
700	700	1280	960	500	470	450	350	410	500
800	800	1440	1080	600	520	500	400	460	550

Nominal Size (mm)	R	R1	R2	R3	R4	R5	T	C	D	D1	D2	Mass (kg)	Dia. of Chain Rope		
													Chain	Wire	Fibre
400	150	310	230	270	200	200	35	65	50	90	70	190	50~60	30	80
500	200	360	280	300	240	230	40	70	50	120	80	310	62~73	40	90
600	225	410	330	330	260	260	45	75	75	150	90	460	76~92	50	100
700	250	460	380	350	280	290	50	80	100	180	100	660	95~114	60	110
800	300	510	430	370	320	320	55	85	100	210	110	830	117~132	70	120



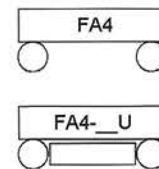
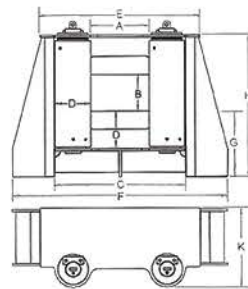
ROLLER FAIRLEADS

Horizontal Fairlead Roller - 4 Roller



Nominal Dia. (mm)	Dimensions(mm)								Open Size	Wire Rope Dia.	SWL (Ton)	Mass (kgs)
	B	D1	D2	D3	H	H1	L	L1				
140	355	140	140	114	542	275	805	335	148 × 195	18	12	214
160	405	165	165	114	584	290	890	365	149 × 197	22.4	17	307
180	455	190	190	140	636	315	960	390	148 × 196	25	24	411
200	505	216	216	140	680	330	1049	420	150 × 226	28	28	568
250	610	267	267	165	824	415	1303	520	194 × 247	35	46	1000
315	715	318	318	216	998	420	1562	620	260 × 295	42	60	1624

Universal Fairlead Roller - 4 Roller

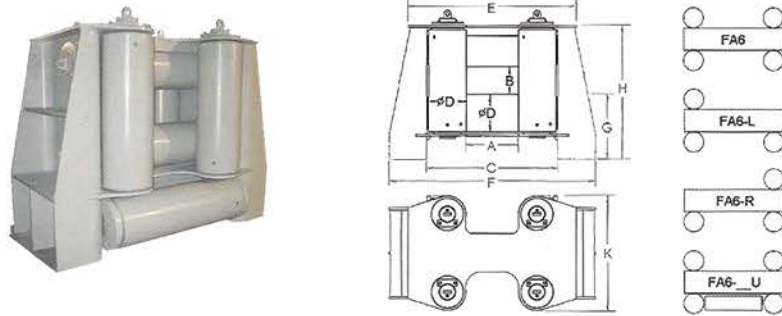


Type	Rope Dia. (mm)	Dimensions(mm)									Mass (kgs)
		A	B	C	D	E	F	G	H	K	
FA4-12	12	180	100	356	80	446	650	160	370	170	75
FA4-16	16	230	130	446	100	546	785	200	480	210	120
FA4-20	20	250	130	506	120	714	900	250	520	250	180
FA4-24	24	280	160	576	140	716	1000	260	590	288	330
FA4-32	32	300	200	700	190	916	1185	340	752	415	580
FA4-40	40	400	250	900	245	1100	1479	450	970	548	1180
FA4-48	48	400	250	1018	300	1214	1700	470	1048	618	2210
FA4-56	56	400	250	1116	350	1336	1900	580	1216	710	2980
FA4-64	64	500	300	1360	420	1620	2300	720	1475	854	3680



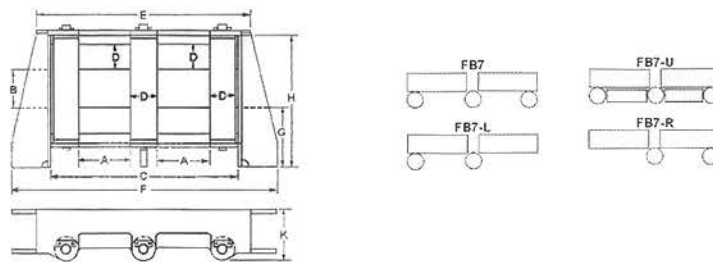
ROLLER FAIRLEADS

Horizontal Fairlead Roller - 6 Roller



Type	Rope Dia. (mm)	Dimensions(mm)									Mass	
		A	B	C	D	E	F	G	H	K	KG1	KG2
FA6-12	12	180	100	356	80	446	650	160	370	255	85	95
FA6-16	16	230	130	446	100	546	800	200	480	315	145	165
FA6-20	20	250	130	506	120	626	900	250	520	375	255	290
FA6-24	24	280	160	576	140	716	1000	260	590	432	390	440
FA6-32	32	300	160	676	180	836	1200	340	752	549	700	920
FA6-40	40	320	180	830	245	1030	1350	450	970	750	1300	1550
FA6-48	48	400	250	1018	300	1214	1700	470	1048	930	1700	2100
FA6-64	64	500	300	1360	420	1620	2298	720	1475	1280	3600	3800

Universal Fairlead Roller - 7 Roller

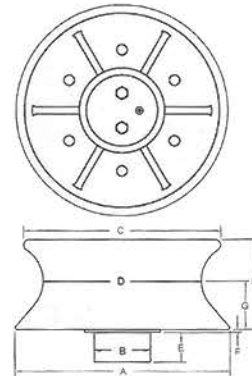


Type	Rope Dia. (mm)	Dimensions(mm)									Mass (kgs)
		A	B	C	D	E	F	G	H	K	
FB7-12	12	180	100	620	80	710	914	160	370	170	185
FB7-16	16	230	130	778	100	878	1120	200	480	210	245
FB7-20	20	250	130	878	120	1086	1272	250	520	250	370
FB7-24	24	280	160	996	140	1236	1420	260	590	288	505
FB7-32	32	300	200	1190	180	1410	1678	340	752	366	940
FB7-40	40	320	250	1548	245	1760	2126	450	970	500	1600
FB7-48	48	400	250	1720	300	1920	2400	470	1048	608	3600



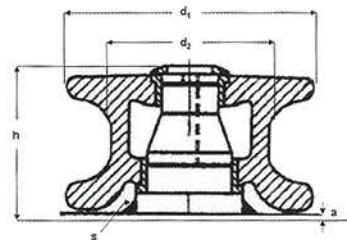
ROLLERS

Warping Roller



Nominal Dia. (mm)	Rope Dia. (mm)	Dimensions(mm)								Mass (kgs)	Rated Towing Pull (KN)	Breaking Strength of Wire (KN)
		A	B	C	D	E	F	G	H			
160	12	210	60	195	160	50	5	42	80	10	10	90
200	16	265	70	245	200	50	5	56	102	19	20	150
250	20	330	85	300	250	50	6	71	126	36	30	220
320	24	420	106	390	320	50	4	88	160	76	50	350
400	32	530	125	490	400	60	8	113	208	146	80	500
450	40	610	160	560	450	85	8	139	256	238	120	800
500	48	640	190	620	500	100	8	144	278	328	200	1150
560	52	780	230	740	560	150	8	183	348	551	320	1750

Guide Rollers



Nominal Dia. (mm)	A	D1	D2	H	S	Weight (kg)	Breaking Load (Mp)
150	5	240	150	154	15	25	15.5
200	5	310	200	186	15	50	19.5
250	6	380	250	230	18	92	28
300	7	440	300	255	18	127	33
350	7	500	350	271	18	169	44
400	7	560	400	307	15	253	57
450	7	360	450	316	15	310	63