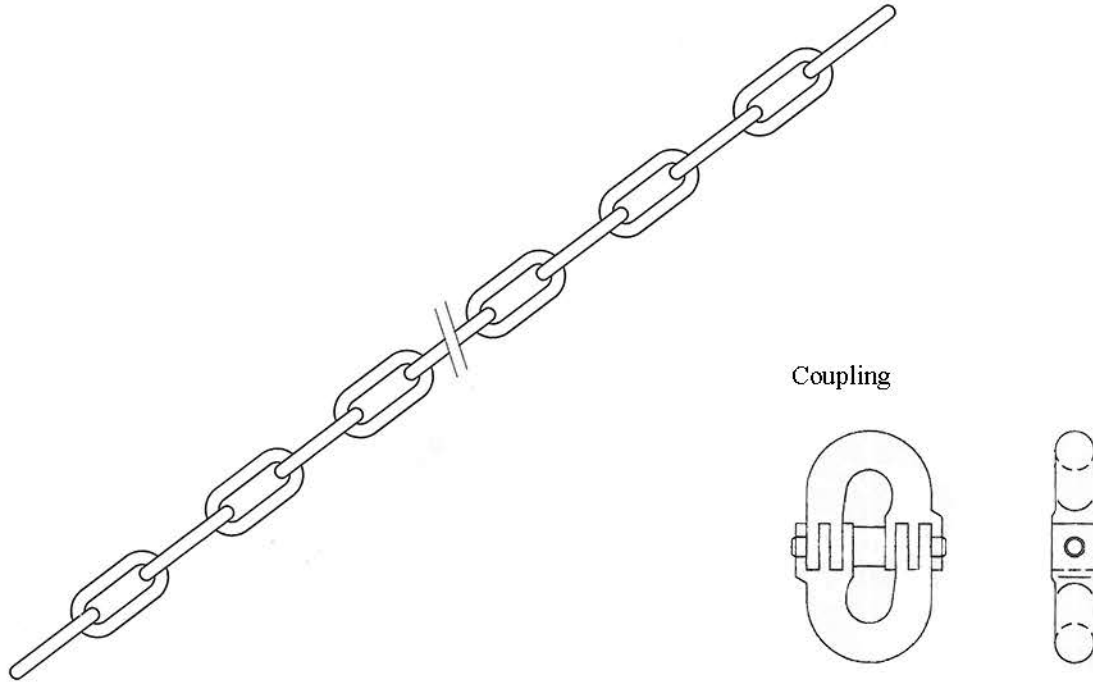




HATCH COVER

CHAINS



Model	mm
HCC-11	11x43
HCC-14	14x50
HCC-16	16x18
HCC-19	19x64
HCC-20	20x64
HCC-20L	20x108
HCC-22	22x72
HCC-22L	22x86
HCC-24	24x86
HCC-25	25x90
HCC-26	26x92
HCC-28	28x92

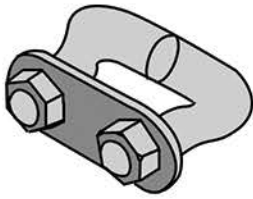
Execution Hot Dip Galvanized or Black Tarred

For details / dimensions refer to item drawings



HATCH COVER

CHAIN DRIVING GEAR



Hook Bolt - Galvanized



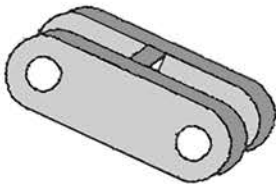
Long Shackle - Galvanized
L= 116mm



Short Shackle - Galvanized
L= 105mm



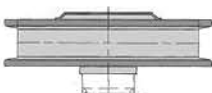
Short Shackle - Galvanized
L= 95mm



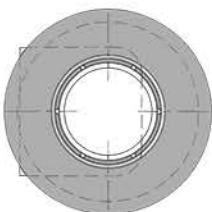
Connector



Turnbuckle - Rigging Screw



Wheel - Flanged

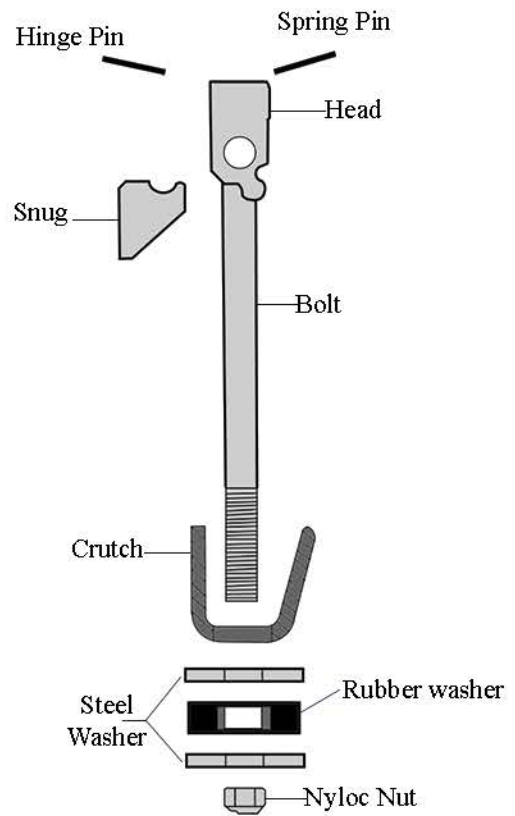
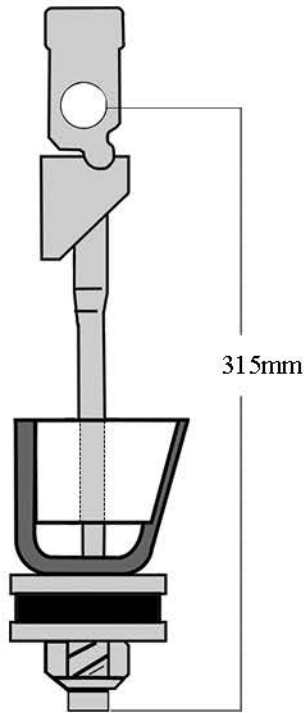


For Details / Dimensions refer to item drawings

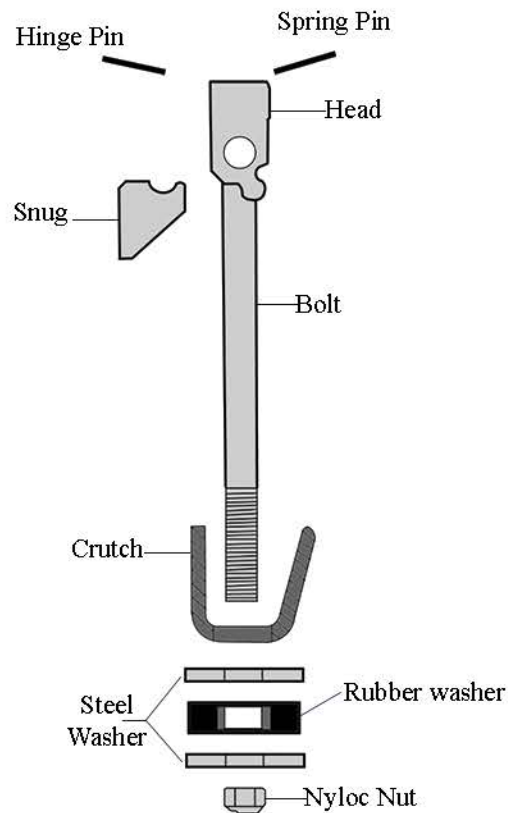
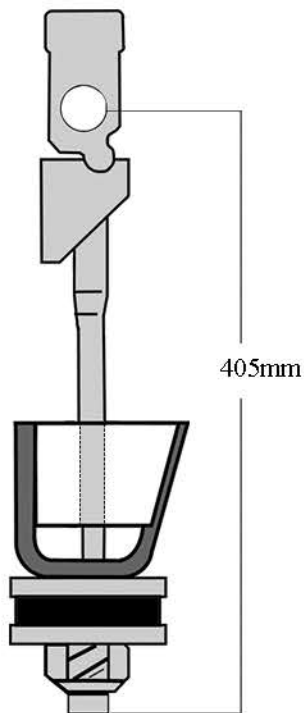


QUICK ACTING CLEATS

QAC-315 / 22 / 1300



QAC-405 / 22 / 1301

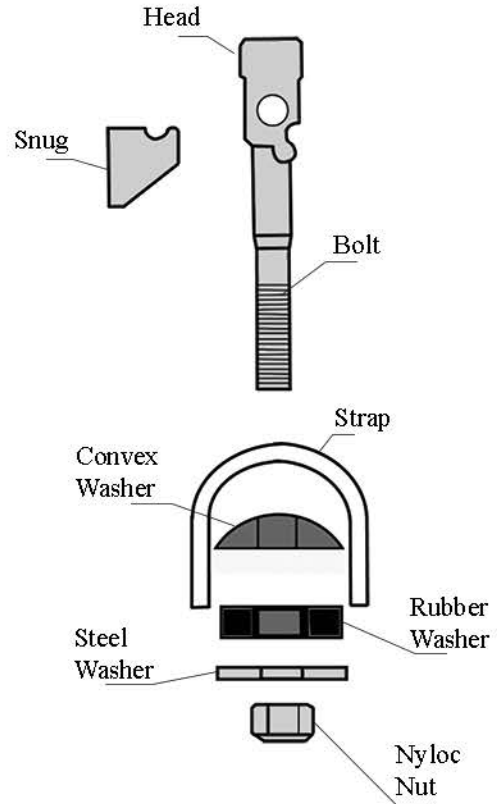
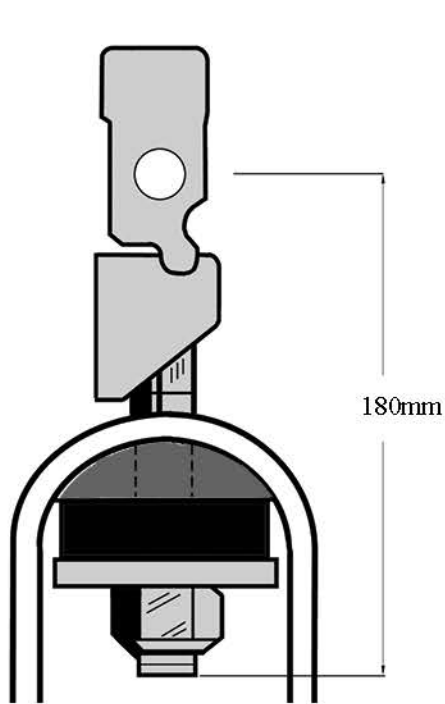


For Details / Dimensions refer to item drawings

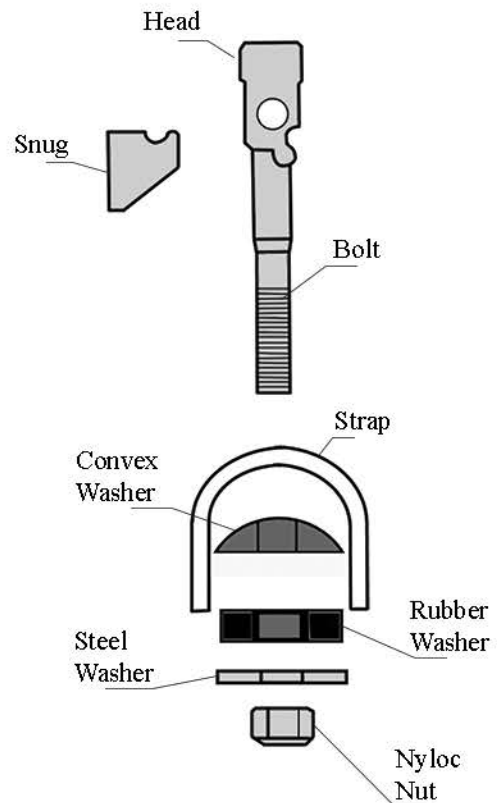
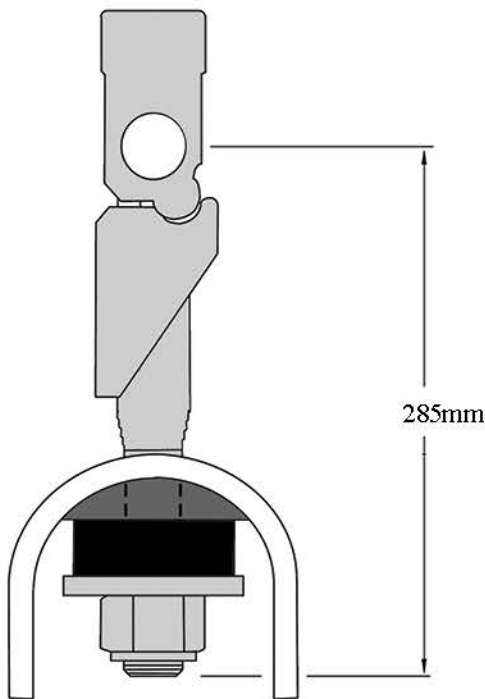


QUICK ACTING CLEATS

QAC-180/22/1302



QAC-285/33/1304

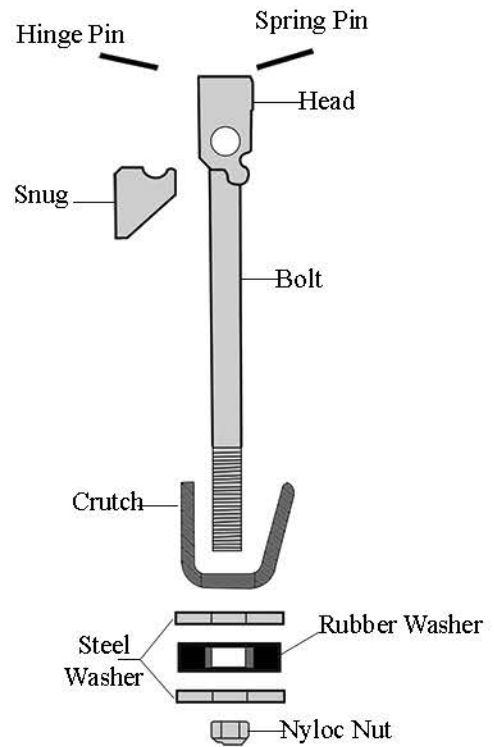
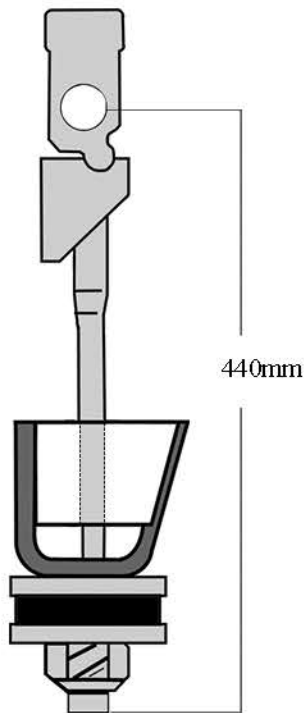


For Details / Dimensions refer to item drawings

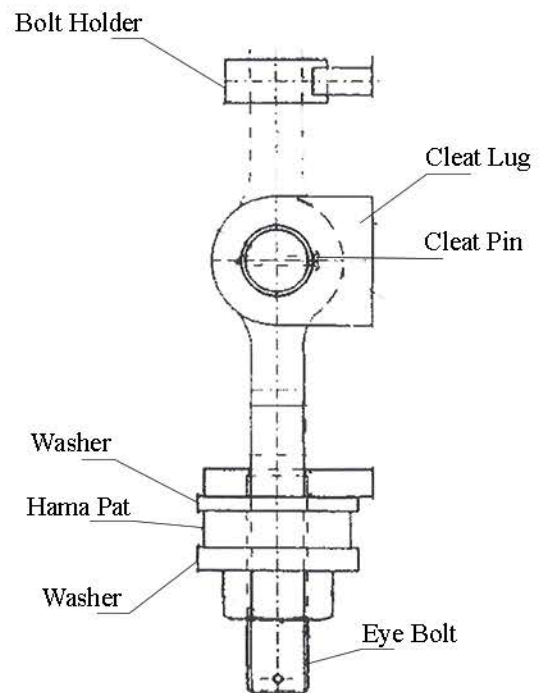
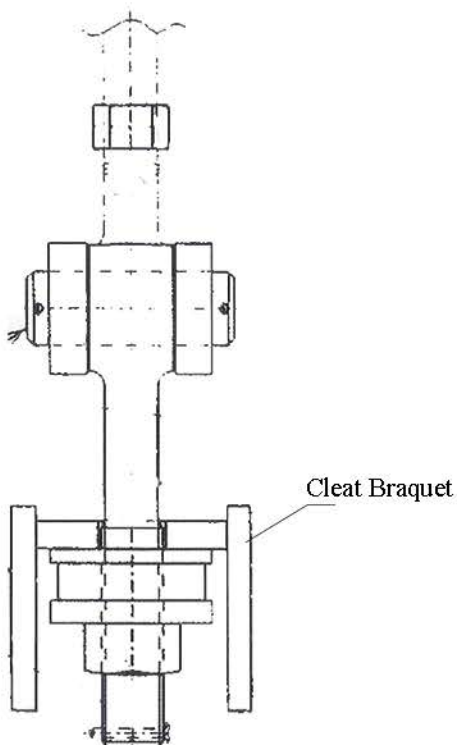


QUICK ACTING CLEATS

QAC-440 / 33 / 1303



QAC-360 / 42

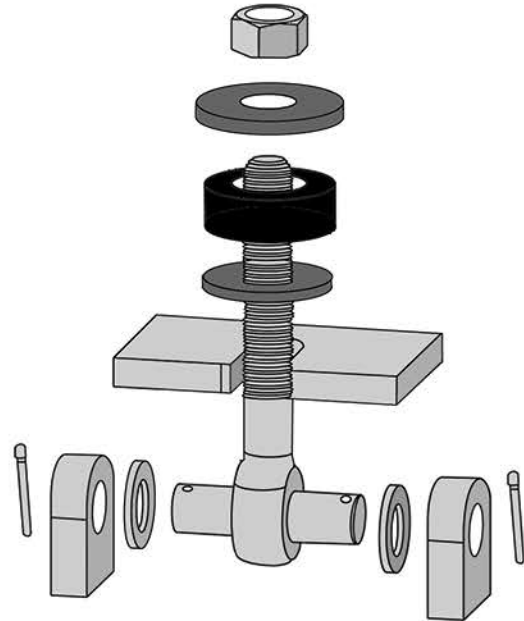
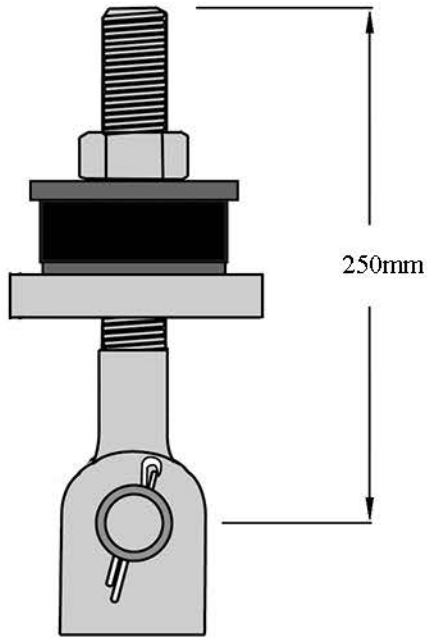


For Details / Dimensions refer to item drawings

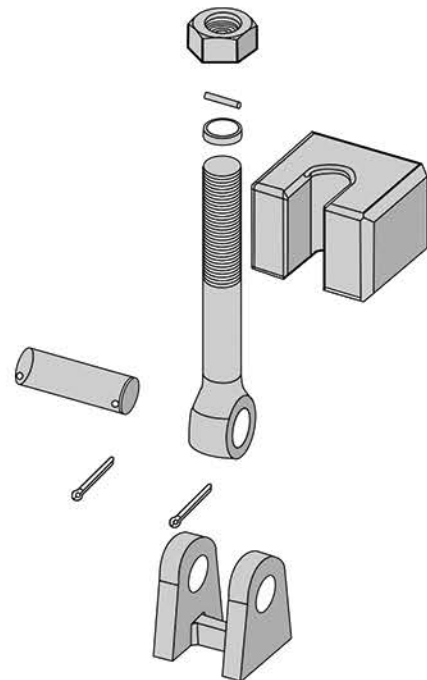
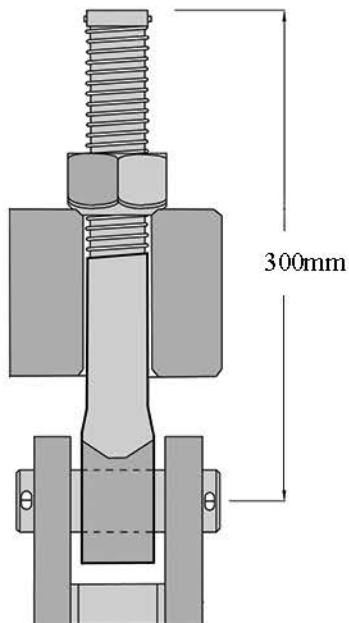


QUICK ACTING CLEATS

QAC-250



QCA-300/42



For Details / Dimensions refer to item drawings